



Features

- 800x600 resolution
- Resistive touch screen
- All metal construction
- Toolless quick removal of hard drive
- All solid state design (fanless)
- Dual Ethernet ports
- 2 RS232 ports
- 1 RS485 port
- 4 USB ports
- HDMI for secondary display up to 1920x1080
- Fully loaded and configured to be ready to use
- Includes latest version of AdvancedHMI software

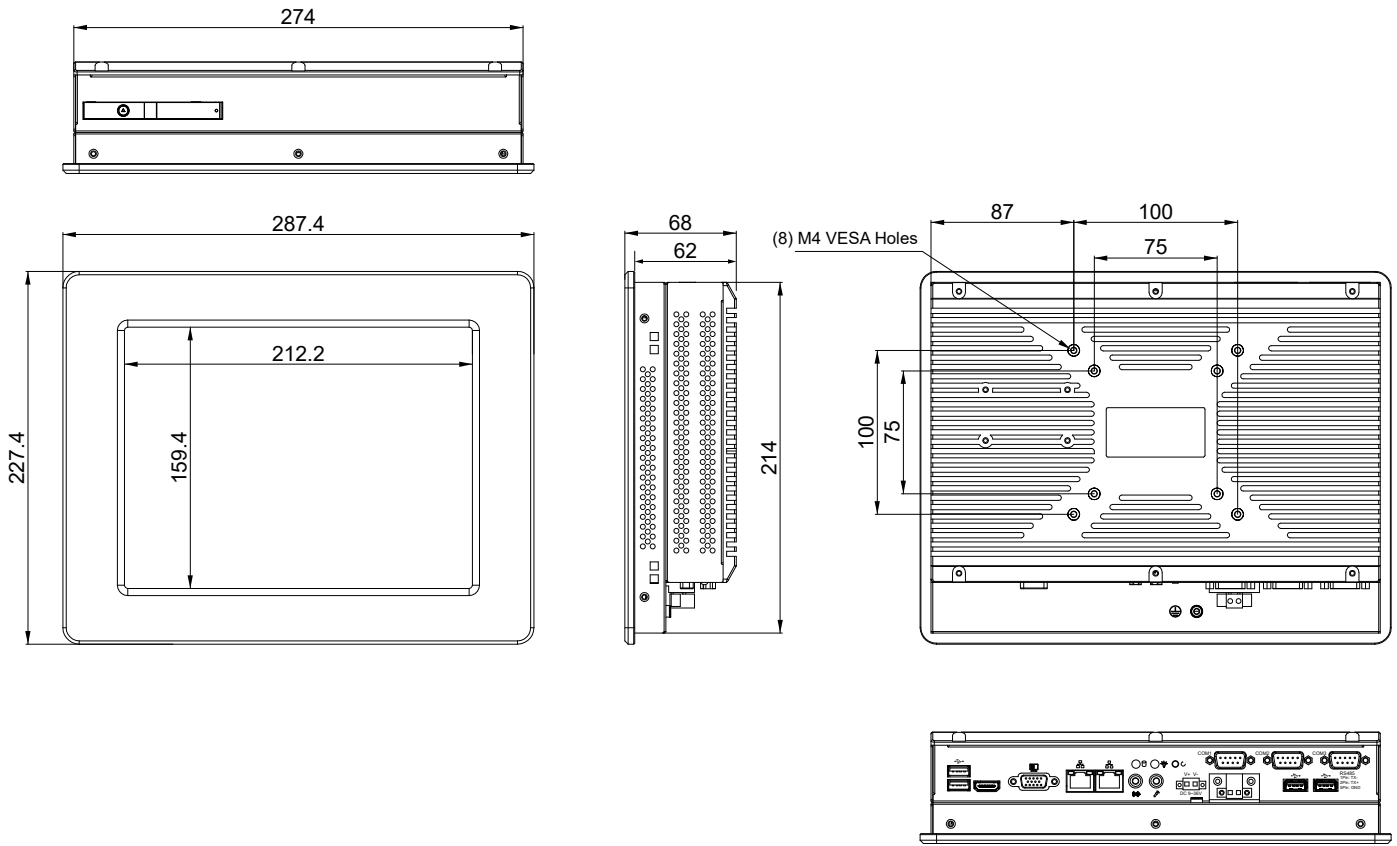
Description

The AdvancedHMI line of panel PCs are specifically designed to provide maximum openness, reliability, and capabilities. The hardware has been designed with serviceability in mind with features such as a toolless quick release solid state hard drive. Pre-loaded with a Windows operating system that is configured for optimum performance as an HMI in an industrial environment. When used with the AdvancedHMI software, a flexible and cost effective machine interface can be achieved. Can also be used as a general purpose PC.

Specifications

Motherboard	Processor	Intel Celeron J1900 Quad Core
	Clock	2.0 Ghz
	Memory	2Gb
	Storage	256Gb SATA SSD
	Network	2 x Realtek 10/100/1000 Mbps
	Internal Expansion	
	I/O Ports	2 x RS232, 1 x RS485 1 x USB 3.0, 3 x USB 2.0
Operating System	Default Image	Windows 10 Pro
Physical	Overall Dimensions	287mm x 227mm x 68mm
	Cutout Dimensions	275mm x 215mm
Power	Input	9-36VDC
		32W
LCD Screen	Resolution	800x600
	Intensity	500 cd/m2
	Contrast Ratio	700:1
Touch Screen	Life Expectancy	35 million
Environment	Operating Temperature	0 °C to 50 °C
	Protection	IP65 Front Bezel

Dimensions



Connections

