



### Features

- 1024x768 resolution
- Resistive touch screen
- All metal construction
- Toolless quick removal of hard drive
- All solid state design (fanless)
- Dual Ethernet ports
- 2 RS232 ports
- 1 RS485 port
- 4 USB ports
- HDMI for secondary display up to 1920x1080
- Fully loaded and configured to be ready to use
- Includes latest version of AdvancedHMI software

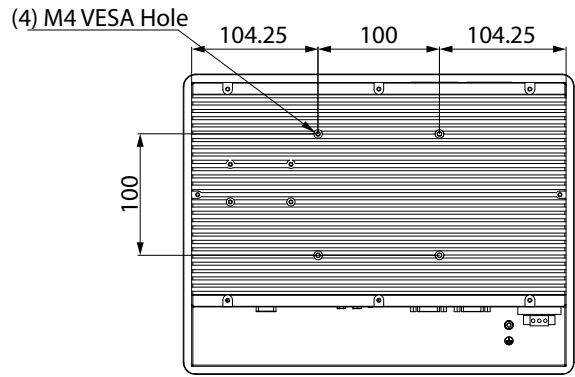
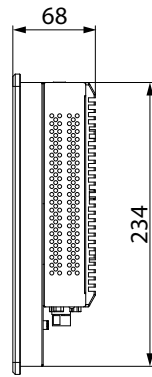
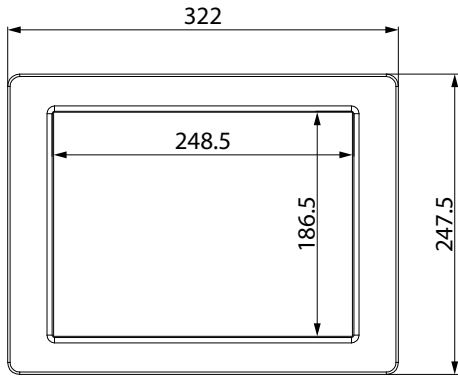
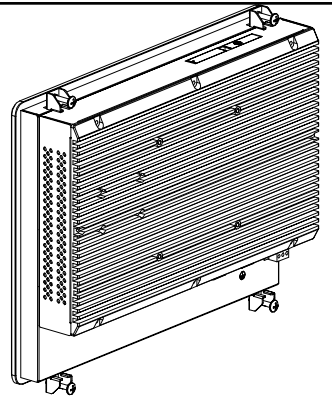
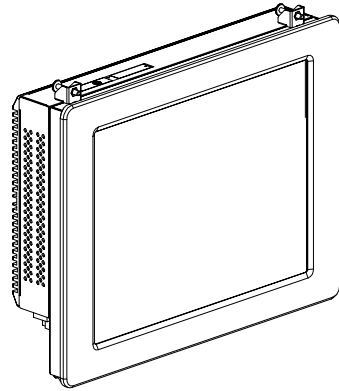
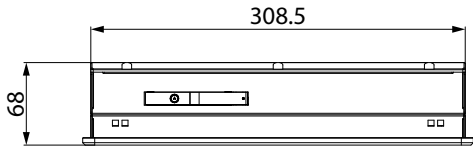
### Description

The AdvancedHMI line of panel PCs are specifically designed to provide maximum openness, reliability, and capabilities. The hardware has been designed with serviceability in mind with features such as a toolless quick release solid state hard drive. Pre-loaded with a Windows operating system that is configured for optimum performance as an HMI in an industrial environment. When used with the AdvancedHMI software, a flexible and cost effective machine interface can be achieved. Can also be used as a general purpose PC.

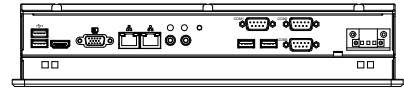
### Specifications

|                         |                       |  |
|-------------------------|-----------------------|--|
| <b>Motherboard</b>      | Processor             | Intel Celeron J1900 Quad Core                    |
|                         | Clock                 | 2.0 Ghz  |
|                         | Memory                | 4Gb  |
|                         | Storage               | 256Gb SATA SSD                                   |
|                         | Network               | 2 x Realtek 10/100/1000 Mbps                     |
|                         | Internal Expansion    | 1 x Mini-PCIe<br>1 x mSATA                       |
|                         | I/O Ports             | 2 x RS232, 1 x RS485<br>1 x USB 3.0, 3 x USB 2.0 |
| <b>Operating System</b> | Default Image         | Windows 10 Pro                                   |
| <b>Physical</b>         | Overall Dimensions    | 322mm x 247.5mm x 68mm                           |
|                         | Cutout Dimensions     | 310mm x 236mm                                    |
| <b>Power</b>            | Input                 | 9-36VDC  |
|                         |                       | 32W  |
| <b>LCD Screen</b>       | Resolution            | 1024x768   |
|                         | Intensity             | 500 cd/m2  |
|                         | Contrast Ratio        | 700:1  |
| <b>Touch Screen</b>     | Life Expectancy       | 35 million                                       |
| <b>Environment</b>      | Operating Temperature | 0 °C to 50 °C                                    |
|                         | Protection            | IP65 Front Bezel                                 |

# Dimensions



Cut Out Dimensions  
310mm x 236mm



# Connections

